

ULTIMATE HIGH FIDELITY STEREO COMPONENTS

**SUMMAN**

**PD441**

DIRECT-DRIVE TURNTABLE (WITHOUT TONEARM)

Crystal Phase Locked Loop Direct Drive Turntable with  
Load-Free Spindle Phono Motor !!



The PD-441 is a direct drive quartz-locked turntable, but its most salient feature is its ability to remove all kinds of external load vibration thanks to our exclusive "Load-Free Spindle" system.

Actually, the quartz-lock system is effective only in the suppression of external disturbing load variations ranging from DC to 1Hz, but cannot control those of relatively high frequencies (5 – 10Hz). To reduce them, the flywheel effect of the platter must be utilized. The heavier the platter, the better.

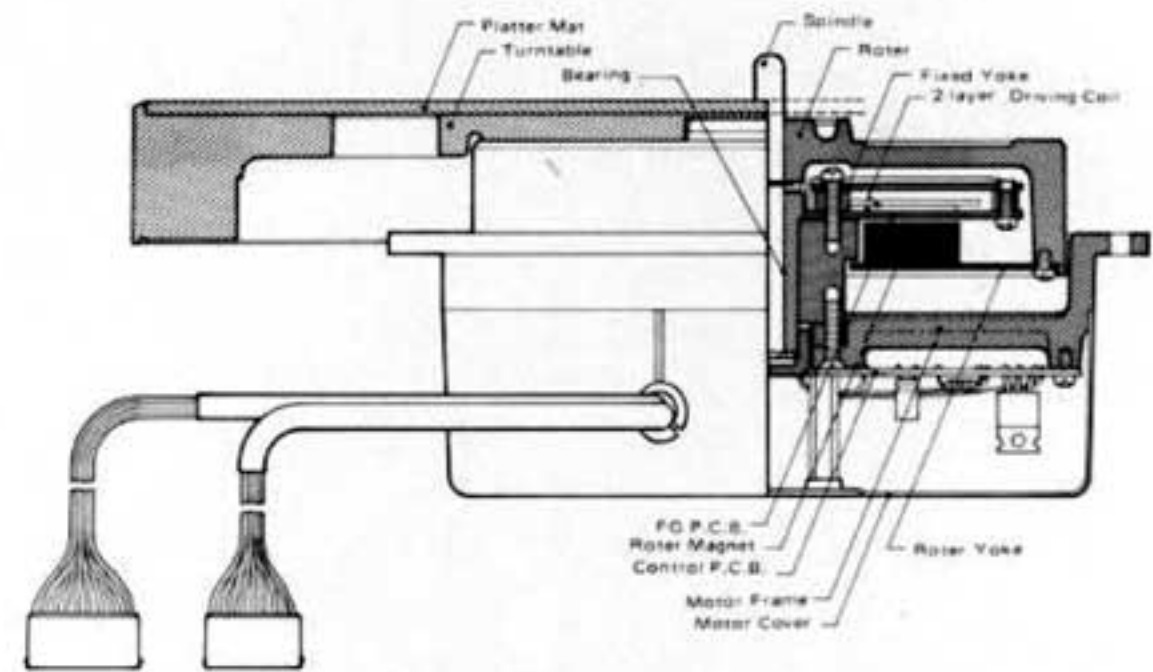
But here arises the problem with respect to the life of the bearing. With the new "Load-Free Spindle" system, the motor itself has the repelling power to float the turntable platter, which makes it possible to reduce the platter's weight on the bearing to about 1/5 of its actual value.

Additionally, the PD-441 is made extremely resistant to howling and acoustic feed-back by means of insulators of a 2-step brake system with lowest resonant frequency, and our ultra heavy chassis of sandwich structure made from 2 thick iron plate and a high-density chip board.

No tonearm is supplied with this unit, and for easy installation of your favorite tonearm a sliding arm-base is provided.

Other features are; a special platter mat to hold the disc firmly, a dust cover of thick acrylic plates, a semi-free-stop type hinge incorporated into the slim chassis to provide a compact appearance, etc.

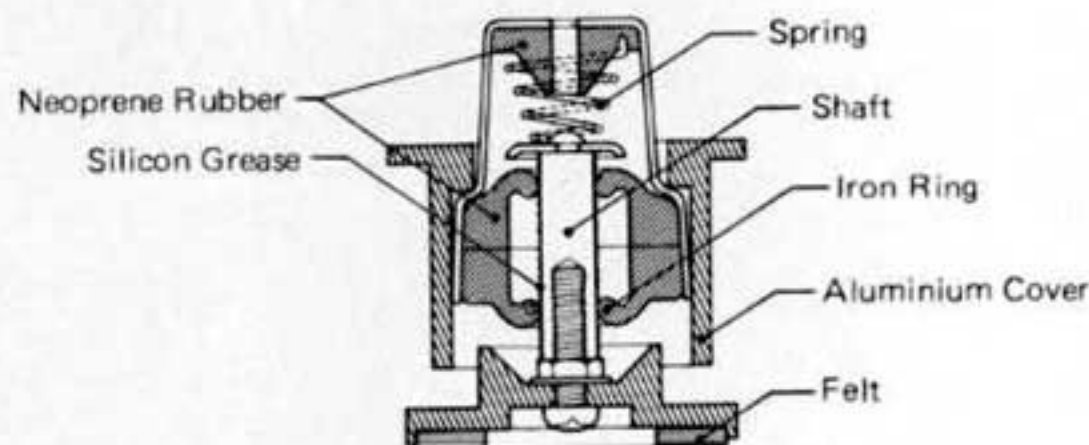
**Load-Free Spindle Motor:**



**Slim yet Ultra Heavy Chassis of Sandwich Structure:**



**2-Step Brake Insulator:**



**SPECIFICATIONS**

**[PHONO MOTOR SECTION]**

<b>Driving System:</b>	Direct Drive System
<b>Motor:</b>	Crystal Control, Load-Free-Spindle System Flat Brushless DC Servo Motor
<b>Turntable Platter:</b>	30cm (12") aluminium die-cast 2.5kg
<b>Rotation:</b>	33-1/3, 45 rpm (2-speed)
<b>S/N Ratio:</b>	No less than 75dB
<b>Wow &amp; Flutter:</b>	No more than 0.025% W.R.M.S.
<b>Torque:</b>	1 kg/cm
<b>Temperature Characteristics:</b>	below 0.00003%/°C
<b>Turning accuracy:</b>	0.002%

**[ADDITIONAL FEATURES]**

<b>Acrylic Resin Cover:</b>	4mm-thick (1.6") detachable with semi-free-stop hinge 1.6kg (3.5 lbs.)
<b>Insulator:</b>	Low "f <sub>0</sub> ", 2-step brake type by means of spring, rubber and grease; Height adjustable (adjustable range: 10mm [1/3"])
<b>Lock Indicator:</b>	33-1/3 rpm; Blue, 45 rpm; Orange
<b>Arm Base:</b>	Detachable, die-cast

**[OTHERS]**

<b>Power Requirement:</b>	AC 120/220/240V, 50/60Hz
<b>Power Consumption:</b>	16W
<b>Dimensions:</b>	474(W) x 160(H) x 392(D)mm (18-11/16" x 6-5/16" x 15-7/16")
<b>Weight:</b>	Net 17kgs (37.4 lbs.); Gross 19.5kgs (42.9 lbs.)

Specifications and appearance design are subject to possible change without notice.

**LUX CORPORATION, JAPAN**

Printed in Japan

1-1, 1-CHOME, SHINSENRI-NISHIMACHI, TOYONAKA-SHI, OSAKA, JAPAN. PHONE: 06-834-2222 CABLE: LUXELECT OSAKS TELEX: J63694